

Full HD in CCTV

3 Megapixel Network Camera



3Megapixel Full HD Network Vandal-Resistant Dome Camera

SNV-7080

The SNV-7080 is an ONVIF compliant 3 Megapixel dome camera that incorporates Samsung's WiseNet2 DSP chipset which has been specifically designed to provide users with maximum benefit from the latest megapixel camera technology. Capable of displaying multiple resolutions from CIF (320 x 240) through to 16:9 format 1080p full HD and up to full 3 megapixel (2048 x 1536). These resolutions have the ability to be transmitted simultaneously, allowing the most relevant stream to be transmitted to your viewing or recording device. The lens focusing can be controlled via the network using the manual and one-shot auto focus function. In addition, the SNV-7080 supports multiple H.264 / MJPEG codecs to provide a high quality recording solution and seamless monitoring with its frame rates of 30fps (2M)/20fps (3M).

- Max. 3M (2048 x 1536) resolution
- 16:9 Full HD (1080p) resolution support
- 3~8.5mm (2.8x) motorized varifocal lens
- H.264 / MJPEG multiple codecs
- WDR (supported in 2M mode only)
- Smart Compression (ROI encoding)

3Megapixel Full HD Network Vandal-Resistant Dome Camera

SNV-7080



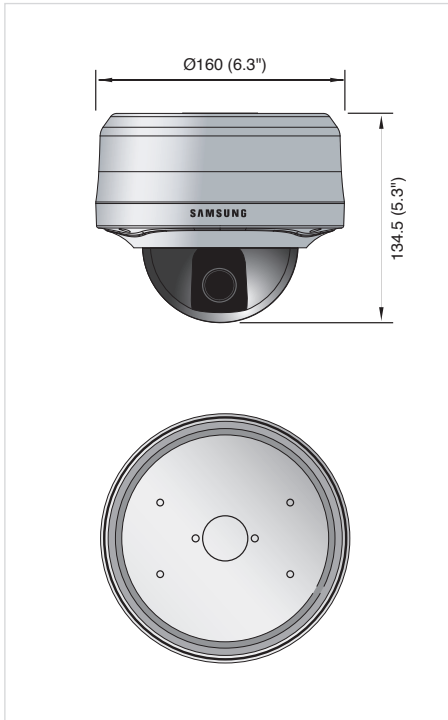
Specifications

SNV-7080N/P

| VIDEO | |
|----------------------------------|--|
| Imaging Device | 1/2.8" 1.3M PS CMOS |
| Total Pixels | 2,144(H) x 1,588(V) |
| Effective Pixels | 2,096(H) x 1,561(V) |
| Scanning System | Progressive |
| Min. Illumination (TBD) | Color : 1Lux (F1.2, 50IRE), 0.017Lux (Sens-up 60x), B/W : 0.08Lux (F1.2, 50IRE), 0.001Lux (Sens-up 60x) |
| S / N Ratio | 50dB |
| Video Output | CVBS : 1.0 Vp-p / 75Ω composite, 704 x 480(N), 704 x 576(P), for installation |
| LENS | |
| Focal Length (Zoom Ratio) | 3 ~ 8.5mm (2.8x) Motorized vari-focal |
| Max. Aperture Ratio | F1.2 |
| Angular Field of View | H : 100°(Wide) ~ 35.3°(Tele), V : 74.6°(Wide) ~ 26°(Tele) |
| Min. Object Distance | 0.5m (1.64ft) |
| Focus Control | Remote control via network (Manual, One-shot AF) |
| Lens Type | DC auto iris |
| Mount Type | Board type |
| PAN / TILT / ROTATE | |
| Pan Range | 0° ~ 355° |
| Tilt Range | 0° ~ 90° |
| Rotate Range | 0° ~ 355° |
| OPERATIONAL | |
| Camera Title | Off / On (Displayed up to 15 characters) |
| Day & Night | Auto (ICR) / Color / B/W |
| Backlight Compensation | Off / BLC / HLC |
| Wide Dynamic Range | Off / On (* 2M mode only) |
| Contrast Enhancement | SSDR (Samsung Super Dynamic Range) (Off / On) |
| Digital Noise Reduction | SSNRIII (2D+3D noise filter) (Off / On) |
| Motion Detection | Off / On (4 programmable zones) |
| Privacy Masking | Off / On (1ea 4 point polygonal + 16ea rectangular zones) |
| Sens-up (Frame Integration) | Off / Auto (2x ~ 60x) |
| Gain Control | Off / Low / Medium / High |
| White Balance | ATW / AWC / Manual / Indoor / Outdoor |
| Electronic Shutter Speed | Auto / A.FLK / Manual (TBD) |
| Flip / Mirror | Off / On |
| Alarm I/O | Input 1ea / Output 1ea (Relay) |
| Remote Control Interface | RS-485 |
| RS-485 Protocol | Samsung-T/E, Pelco-P/D, Sungjin |
| NETWORK | |
| Ethernet | RJ-45 (10/100BASE-T) |
| Video Compression Format | H.264, MJPEG |
| Resolution | 3M mode : 2048x1536, 1920x1080P(Full HD), 1600x1200, 1280x1024, 1280x960, 1280x720P(HD), 1024x768, 800x600, 800x450, 640x480, 640x360, 320x240, 320x180 2M mode : 1920x1080P(Full HD), 1280x1024, 1280x960, 1280x720P(HD), 1024x768, 800x600, 800x450, 640x480, 640x360, 320x240, 320x180 |
| Max. Framerate | 3M mode : Max. 20fps at all resolutions 2M mode : Max 30fps at all resolutions * When WDR on, Max. framerate is Max. 15fps. |
| Video Quality Adjustment | H.264 : Compression level, Target bitrate level control, MJPEG : Quality level control |
| Bitrate Control Method | H.264 : CBR or VBR, MJPEG : VBR |
| Streaming Capability | Multiple streaming (Up to 6 profiles) |
| Audio I/O | Mic / Line in, Line out |
| Audio Compression Format | G.711 u-law |
| Audio Communication | 2-Way |
| IP | IPv4, IPv6 |
| Protocol | TCP/IP, UDP/IP, RTP(UDP), RTP(TCP), RTSP, NTP, HTTP, HTTPS, SSL, DHCP, PPPoE FTP, SMTP, ICMP, IGMP, SNMPv1/v2c/v3(MIB-2), ARP, DNS, DDNS |
| Security | HTTPS(SSL) login authentication, Digest login authentication, IP address filtering, User access log, 802.1x authentication |
| Streaming Method | Unicast / Multicast |
| Max. User Access | 10 users at unicast mode |
| Memory Slot | SD/SDHC memory slot |
| ONVIF Conformance | Yes |
| Webpage Language | English, French, German, Spanish, Italian, Chinese, Korean, Russian, Japanese, Swedish, Danish, Portuguese, Turkish, Polish, Czech, Rumanian, Serbian, Dutch, Croatian, Hungarian, Greek |
| Web Viewer | Supported OS : Windows XP / VISTA / 7, MAC OS, Supported Browser : Internet Explorer 7.0 or Higher, Firefox, Google Chrome, Apple Safari |
| Central Management Software | NET-i viewer |
| ENVIRONMENTAL | |
| Operating Temperature / Humidity | -40°C ~ +50°C (-40°F ~ +122°F) / Less than 90% RH |
| Ingress Protection | IP66 Grade (Waterproof) |
| ELECTRICAL | |
| Input Voltage / Current | 12V DC, 24V AC, PoE (IEEE802.3af) |
| Power Consumption | Max. 8W (Heater off), Max. 11W (Heater on) |
| MECHANICAL | |
| Color / Material | Ivory / Aluminum |
| Dimensions (WxH) | Ø160 x 134.5mm (Ø6.3" x 5.3") |
| Weight | 1.4Kg (3.09 lb) |

Dimensions

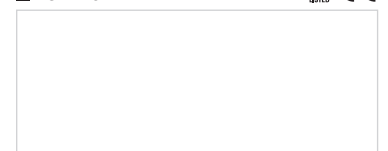
Unit : mm (inch)



The Eco mark represents Samsung Techwin's will to create environment-friendly products, and indicates that the product satisfies the EU RoHS Directive.

Design and specifications are subject to change without notice.

DISTRIBUTED BY



SAMSUNG TECHWIN CO., LTD.

701, Sampyeong-dong, Bundang-gu, Seongnam-si, Gyeonggi-do Korea 463-400
Tel : +82-70-7147-8741~8749, 8752~8760 Fax : +82-31-8018-3745
www.samsungsecurity.com www.samsungcctv.com

SAMSUNG TECHWIN AMERICA INC.

100 Challenger Rd. Suite 700 Ridgeland Park, NJ 07860
Toll Free : +1-877-213-1222 Direct : +1-201-325-6920
Fax : +1-201-373-0124
www.samsungcctvusa.com

SAMSUNG TECHWIN EUROPE LTD.

Samsung House, 1000 Hillwood Drive, Hillwood Business Park
Chertsey, Surrey, UNITED KINGDOM KT16 0PS
Tel : +44-1932-45-5300 Fax : +44-1932-45-5325

TIANJIN SAMSUNG TECHWIN OPTO-ELECTRONICS CO., LTD.

No.11 Wei 6 Street, Micro-Electronic Industrial Park
Jingang Road, Tianjin, P.R. CHINA 300385
Tel : +86-22-23887788 Fax : +86-22-23887788