

**Horn loudspeaker, 15W, marine
LH2-UC15E**

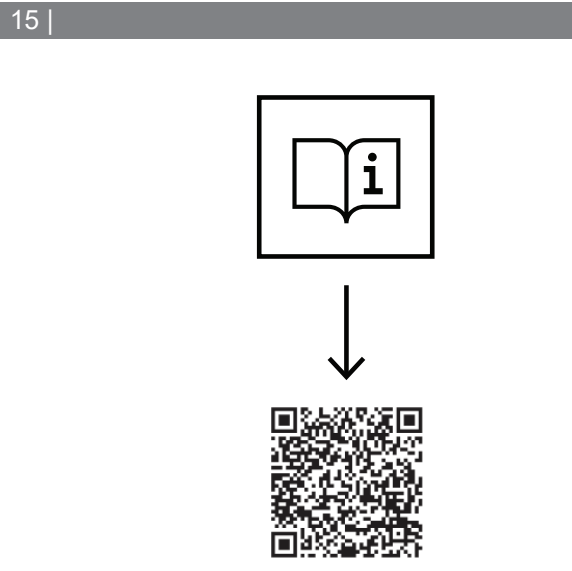
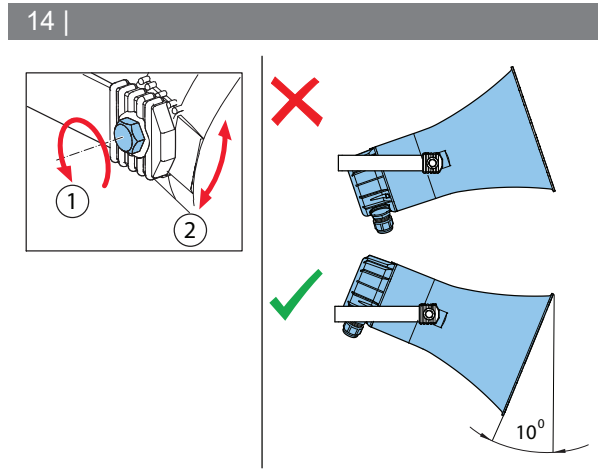
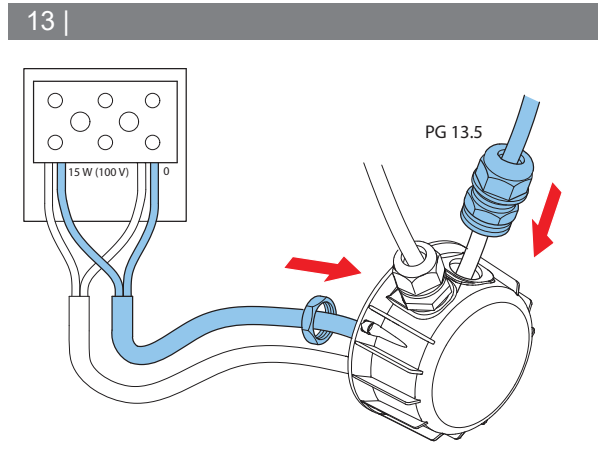
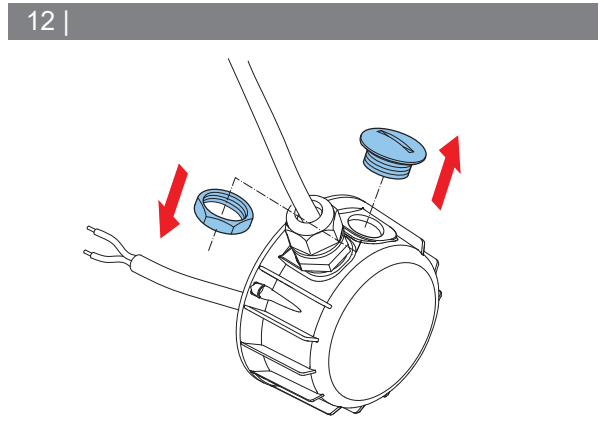
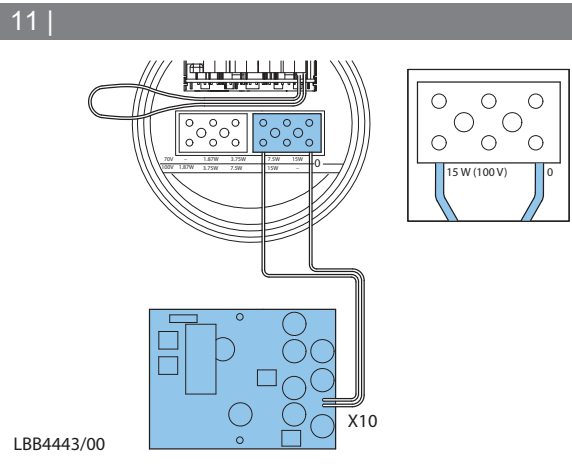


en Quick installation manual

Bosch Security Systems B.V.
Torenallee 49
5617 BA Eindhoven
Netherlands
www.boschsecurity.com
© Bosch Security Systems B.V., 2024

Building solutions for a better life


2024.08 | 02 | F.01U.304.395 | 202408281836



<https://commerce.boschsecurity.com/gb/en/Horn-loudspeaker-15W-marine/p/F.01U.304.395/>

i
**EN 54-24 DoP
Datasheet**

16 |

 0560
Bosch Security Systems BV Torenallee 49, 5617BA Eindhoven, The Netherlands 0560-CPR-142190008
EN 54-24:2008 Loudspeaker for voice alarm systems for fire detection and fire alarm systems for buildings Horn Loudspeaker 15W LH2-UC15E Type B